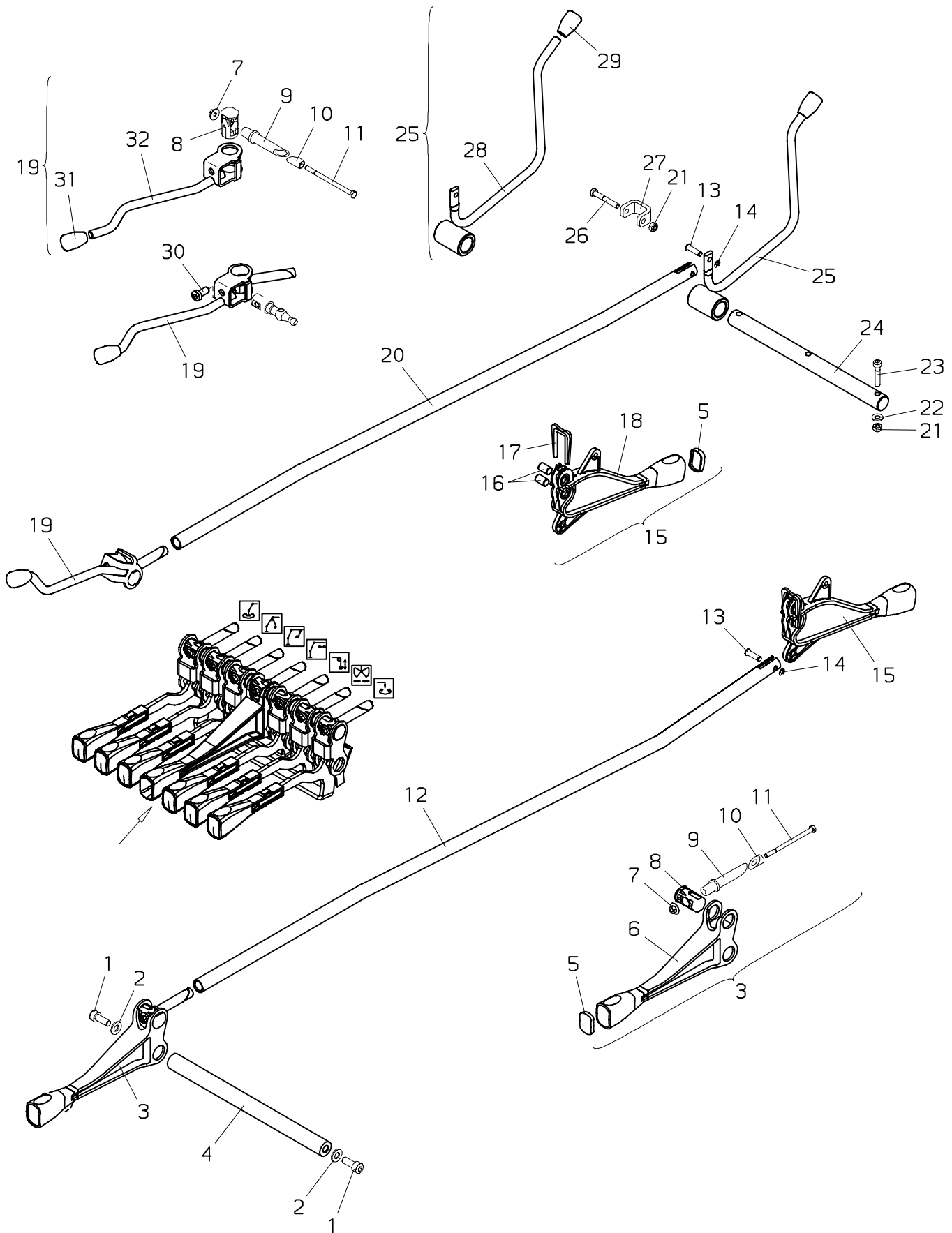


020.0800

06/2004

PALFINGER

PK 23500



PALFINGER**PK 23500****Steuerung
Control
Commande**zu Tafel
to figure
voir planche**020.0800**

06/2004

| Nr. No. No. | Ersatzteil Nr. Sparepart no. No Piece de rechange | Stk. Qty. Nbre. | Teilebezeichnung | Description | Nomenclature | Abmessung Dimension Dimension |
|-------------|---|-----------------|--------------------------|--------------------------|------------------------------|-------------------------------|
| 1 | ES 265 | 2 | Schraube | Screw | Vis | M 8x20 DIN 912 |
| 2 | EK 003 | 2 | Scheibe | Washer | Rondelle | D 8 DIN 125 |
| 3 | HH 409 | | Schalthebel (schwarz) | Control lever (black) | Levier de commande (noir) | |
| 3 | HH 429 | 1 | Schalthebel (blau) | Control lever (blue) | Levier de commande (bleu) | |
| 4 | HI 827 | 1 | Schaltachse | Control axle | Axe de commande | |
| 5 | EK 884 | 2 | Deckel | Cover | Couvercle | |
| 6 | HH 408 | 1 | Schalthebel (schwarz) | Control lever (black) | Levier de commande (noir) | |
| 6 | HH 428 | 1 | Schalthebel (blau) | Control lever (blue) | Levier de commande (bleu) | |
| 7 | EM 234 | 2 | Mutter | Nut | Ecrou | M 5 |
| 8 | HI1543 | 2 | Bolzen | Pin | Axe | |
| 9 | EK 866 | 2 | Keil | Cotter | Coin | |
| 10 | EK 867 | 2 | Keil | Cotter | Coin | |
| 11 | ES1381 | 2 | Schraube | Screw | Vis | M 5x80 DIN 931 |
| 12 | HSV 211 | | Schaltstange | Control rod | Tige de commande | |
| 13 | HI2603 | | Bolzen | Pin | Axe | |
| 14 | EQ 116 | | Sicherungsscheibe | Locking washer | Rondelle | D 4 DIN 6799 |
| 15 | HH 411 | | Schalthebel (schwarz) | Control lever (black) | Levier de commande (noir) | |
| 15 | HH 425 | 1 | Schalthebel (blau) | Control lever (blue) | Levier de commande (bleu) | |
| 16 | HI2907 | 2 | Bolzen | Pin | Axe | |
| 17 | EK 868 | 1 | Bolzensicherung | Pin locking | Frein de boulon | |
| 18 | HH 410 | 1 | Schalthebel (schwarz) | Control lever (black) | Levier de commande (noir) | |
| 18 | HH 424 | 1 | Schalthebel (blau) | Control lever (blue) | Levier de commande (bleu) | |
| 19 | HH 420 | 4 | Schalthebel,kpl. | Control lever,cpl. | Levier de commande, cplt. | |
| 20 | HSV 212 | | Schaltstange | Control rod | Tige de commande | |
| 21 | EM 014 | 4 | Mutter | Nut | Ecrou | M 6 DIN 985 |
| 22 | EK 043 | 3 | Scheibe | Washer | Rondelle | D 6,4 DIN 134 |
| 23 | ES 080 | 3 | Schraube | Screw | Vis | M 6x35 DIN 6912 |
| 24 | HI2735 | 1 | Schaltachse | Control axle | Axe de commande | |
| 25 | HH 423 | | Schalthebel | Control lever | Levier de commande | |
| 26 | ES 105 | 1 | Schraube | Screw | Vis | M 6x40 DIN 912 |
| 27 | HA6509 | 1 | Halterung (R2X,RC) | Bearer (R2X,RC) | Support (R2X,RC) | |
| 28 | HH 422 | 1 | Schalthebel | Control lever | Levier de commande | |
| 29 | EK 871 | 1 | Handgriff | Handle | Poignee | |
| 30 | ES 051 | 4 | Schraube | Screw | Vis | M 8x16 DIN 7984 |
| 31 | EK 871 | 1 | Handgriff | Handle | Poignee | |
| 32 | HH 419 | 1 | Schalthebel | Control lever | Levier de commande | |